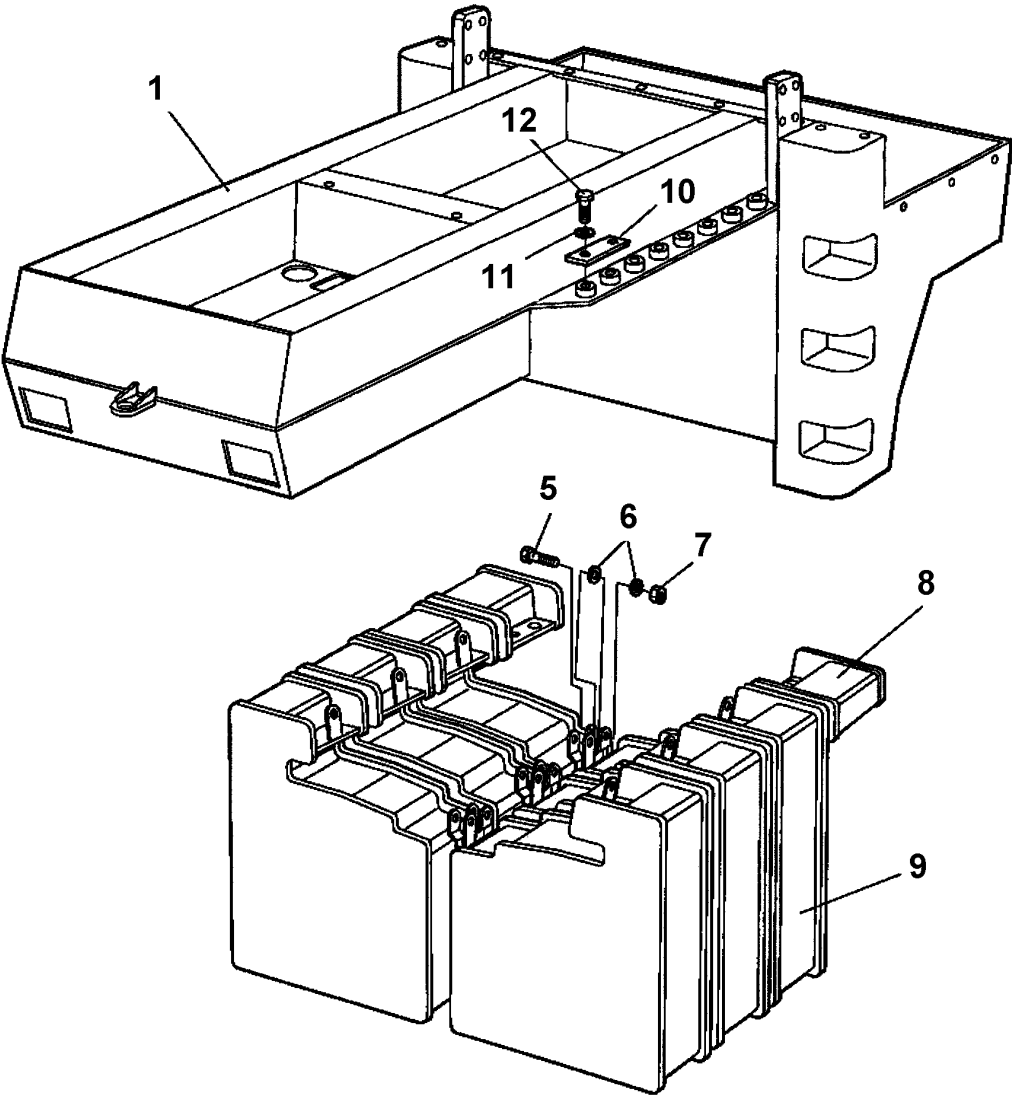


Frame and ballast



Item	Part No.	Name	Qty	L	SN INFO
1	4700388896	Frame	1		
5	4700193581	Screw	6		
6	4700904559	Washer M24 25x45x8	12		
7	4700570016	Nut	6		
8	4700388939	Step	2	A	
9	4700193557	Ballast box	6	B	
10	4700193580	Plate	8		
11	4700904232	Steel plain washer	16		
12	4700500134	Hex. screw	16		

Comments for Page: Frame and ballast

(L)OCAL REMARKS

A | en_US | Only in use together with 6 or less ballast boxes

B | en_US | STD = 6 ballast boxes, Option = 8 ballast boxes