

SY16C

Excavator



KEY FEATURES

- Engine: Yanmar 3TNV74F, Tier 4f
- Convenient service points for easy maintenance.
- Short tail swing is ideal for tight job sites and working in confined spaces
- Lines are run down the boom and arm as standard equipment for easy fit-up and running of hydraulic attachments
- Load sensing hydraulics for increased fuel efficiency and maximized performance
- Hydraulically extendable undercarriage with adjustable front blade width standard
- Two-speed travel

SPECIFICATIONS

Net Power

15.6 hp / 11.6 kW

Dig Depth

7' 8" / 2360 mm

Operating Weight

3,858 lb / 1750 kg

Bucket Breakout

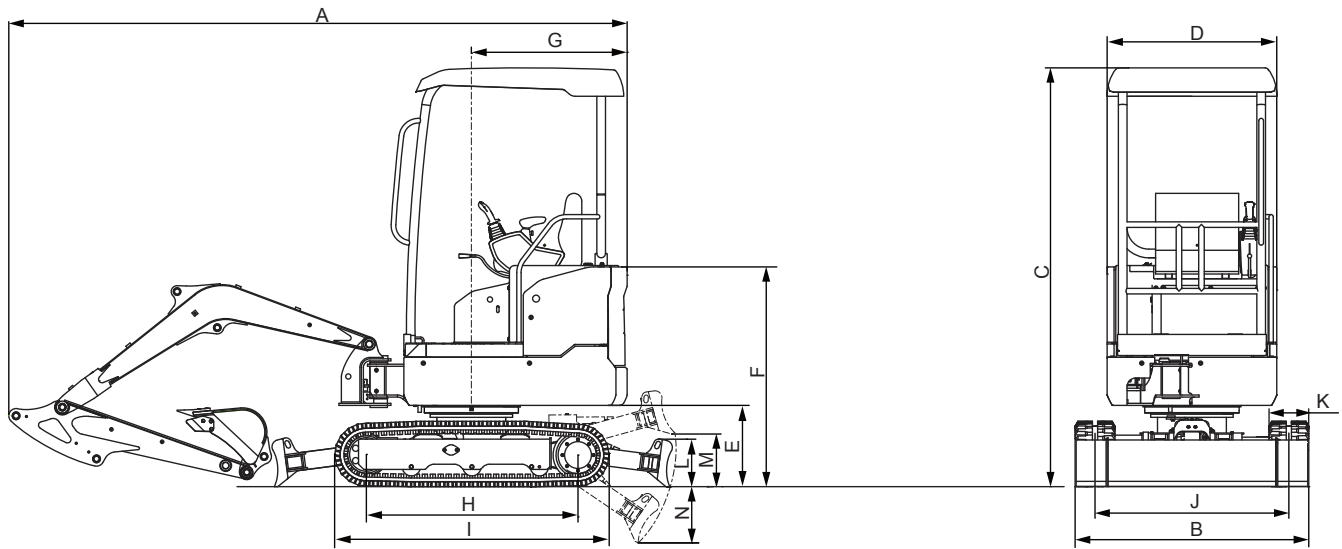
3,417 lbf / 15.2 kN

Meco Miami, Inc.

5825 NW 74th Avenue, Miami, FL 33166
Tel: (305) 592-4332 | Fax: (305) 477-3543
www.mecomiami.com

**SANY**
AMERICA

SY16C Dimensions & Specifications

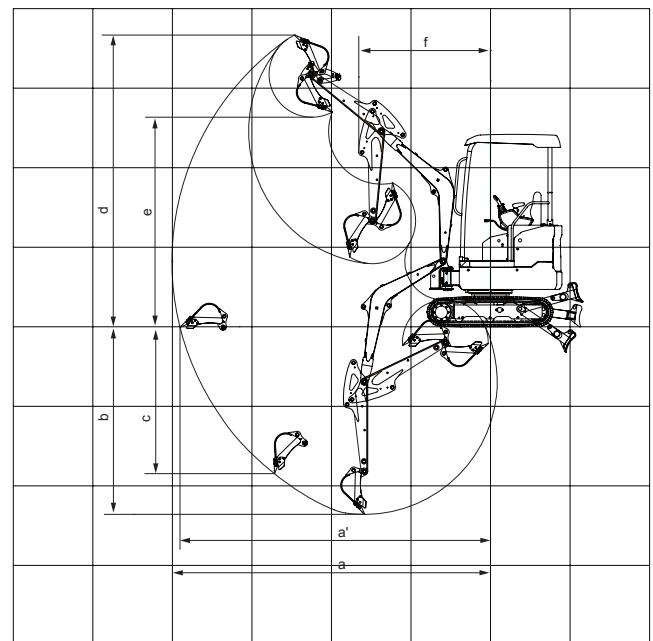


Overall Dimensions

	U.S. (ft - in)	Metric (mm)
A Overall Length	11' 7"	3575
B Overall Width	3' 2" / 4' 5"	980/1350
C Overall Height	7' 11"	2420
D Top Width	3' 2"	980
E Platform Height	1' 6"	470
F Engine Cover Height	4' 2"	1280
G Tail Swing Radius	3' 0"	920
H Track Ground Length	4' 0"	1225
I Track Length	5' 2"	1585
J Track Gauge	2' 5" / 3' 8"	750/1120
K Standard Track Shoe Width	0' 10"	230
L Dozer Blade Height	0' 10"	270
M Dozer Blade Max. Lifting Height	1' 0"	310
N Dozer Blade Max. Digging Depth	1' 0"	320

Machine Parameters

	U.S.	Metric
Operating Weight	3,858 lb	1750 kg
Net Power	15.6 hp	11.6 kW
Engine Max Torque	35.8-38 lbf ft @ 1800 rpm	48.5-51.5 N m @ 1800 rpm
Swing Speed	10 rpm	10 rpm
Travel Speed (Lo/Hi)	1.3 / 2.3 mph	2.1 / 3.7 km/h
Draw Bar Pull (Tractive Effort)	3,485 lbf	15.5 kN
Max Arm Digging Force	2,068 lbf	9.2 kN
Max Bucket Digging Force	3,417 lbf	15.2 kN
Number of Upper Rollers	2	2
Number of Lower Rollers	3	3
Fuel Tank Capacity	6 gal	23 liters
Hydraulic Tank Capacity	5.5 gal	21 liters
Cooling System Capacity	1.2 gal	4.5 liters
Engine Oil Capacity	0.7 gal	2.8 liters
Ground Pressure (230 mm Shoes)	4.2 psi	29.1 kPa



Operating Range

	U.S. (ft - in)	Metric (mm)
a Max. Digging Radius	13' 1"	4000
a' Max. Reach at Ground Level	12' 10"	3900
b Max. Digging Depth	7' 8"	2360
c Max. Vertical Wall Digging Depth	7' 4"	2215
d Max. Cutting Height	12' 0"	3670
e Max. Loading Height	8' 8"	2635
f Min. Swing Radius	5' 5"	1655