

SY215C_{LC} Excavator



KEY FEATURES

- Engine: Cummins QSB6.7, Tier 3
- Positive-control hydraulics with 34.3 MPa system pressure provides excellent reliability, outstanding control and high operation efficiency
- Newly designed SANY cab has maximum space, wide visibility and easy access to controls with a full-color monitor providing easy access to machine operation information
- Standard features include two-way auxiliary hydraulics and a pattern-control change valve to increase productivity and versatility
- True, long undercarriage design to increase stability

SPECIFICATIONS

Gross Power

155 hp / 116 kW

Operating Weight

51,193 lb / 23 221 kg

Dig Depth

21' 7" / 6600 mm

Bucket Breakout

28,551 lbf / 127 kN

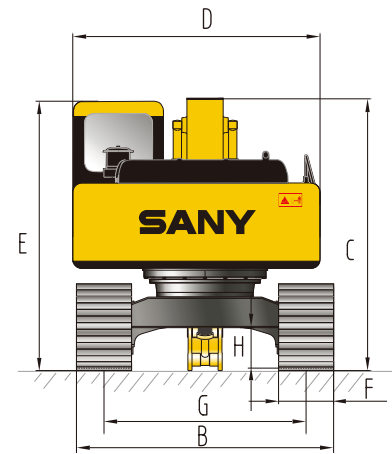
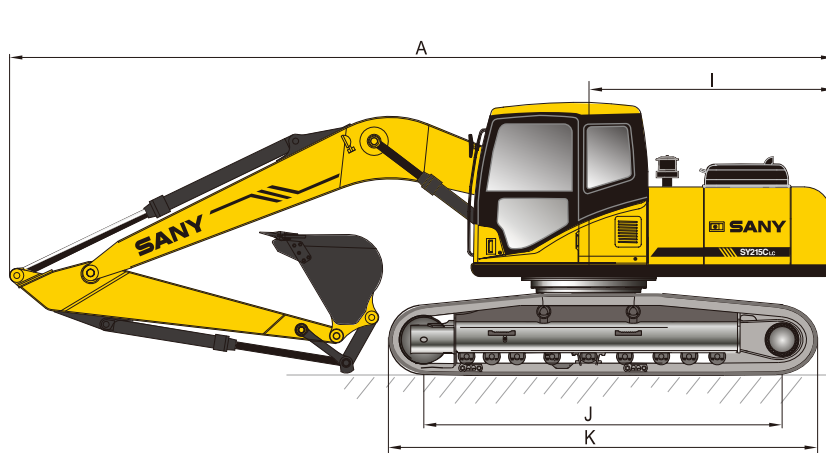
Meco Miami, Inc.

5825 NW 74th Avenue, Miami, FL 33166
Tel: (305) 592-4332 | Fax: (305) 477-3543
www.mecomiami.com



SANY
AMERICA

SY215C_{Lc} Dimensions & Specifications

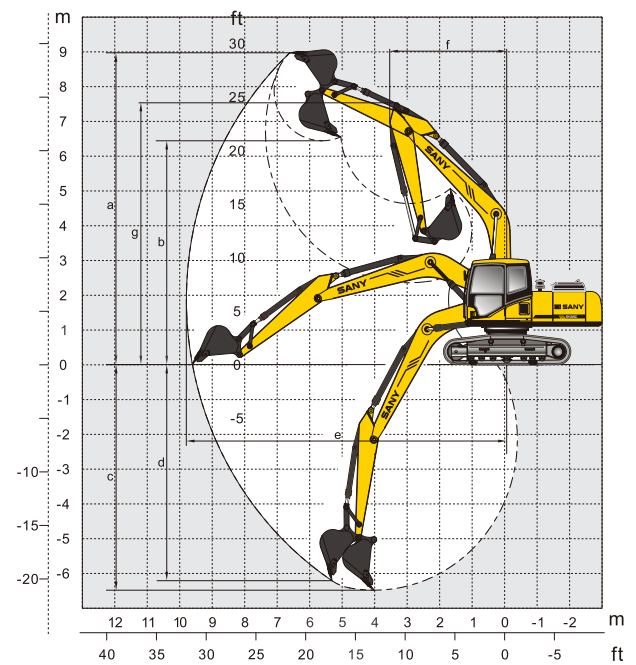


Overall Dimensions

| | U.S. (ft - in) | Metric (mm) |
|--|----------------|-------------|
| A Transport Length | 31' 11" | 9728 |
| B Transport Width | 10' 5" | 3180 |
| C Transport Height | 11' 1" | 3370 |
| D Upper Width | 8' 11" | 2710 |
| E Cab Height | 10' 0" | 3050 |
| F Std Track Shoe Width | 2' 7" | 800 |
| G Track Gauge | 7' 10" | 2380 |
| H Minimum Ground Clearance | 1' 7" | 482 |
| I Tail Swing Radius | 9' 6" | 2890 |
| J Length Center Idler to Center Sprocket | 11' 11" | 3640 |
| K Track Length | 14' 7" | 4450 |
| Boom Length | 18' 8" | 5700 |
| Std Arm Length | 9' 7" | 2925 |

Machine Parameters

| | U.S. | Metric |
|--------------------------------|---------------------|----------------|
| Operating Weight | 51,193 lb | 23 221 kg |
| Gross Power | 155 hp | 116 kW |
| Engine Max Torque | 456 lbf @ 1500 rpm | 618 Nm @ 1500 |
| Engine Displacement | 409 in ³ | 6.7 liter |
| Main Pump Flow | 2 x 55 gal | 2 x 203 liter |
| Swing Speed | 10.1 rpm | 10.1 rpm |
| Travel Speed | 1.9 / 3.3 mph | 3.1 / 5.3 km/h |
| Max Arm Digging Force | 23,155 lbf | 103 kN |
| Max Bucket digging Force | 28,551 lbf | 127 kN |
| Number of Upper Rollers | 2 | 2 |
| Number of Lower Rollers | 9 | 9 |
| Fuel Tank Capacity | 90 gal | 340 liter |
| Hydraulic Tank Capacity | 61 gal | 230 liter |
| Cooling System Capacity | 6.2 gal | 23.6 liter |
| Engine Oil Capacity | 5.8 gal | 22 liter |
| Ground Pressure (800 mm Shoes) | 5.3 psi | 36.3 kPa |



Operating Range

| | U.S. (ft - in) | Metric (mm) |
|--------------------------------------|----------------|-------------|
| a Max Digging Height | 30' 1" | 9180 |
| b Max Dumping Height | 21' 10" | 6670 |
| c Max Digging Depth | 21' 8" | 6600 |
| d Max Vertical Wall Digging Depth | 19' 7" | 5980 |
| e Max Digging Reach | 33' 10" | 10 307 |
| f Min Swing Radius | 12' 2" | 3730 |
| g Max Height at Minimum Swing Radius | 25' 2" | 7680 |