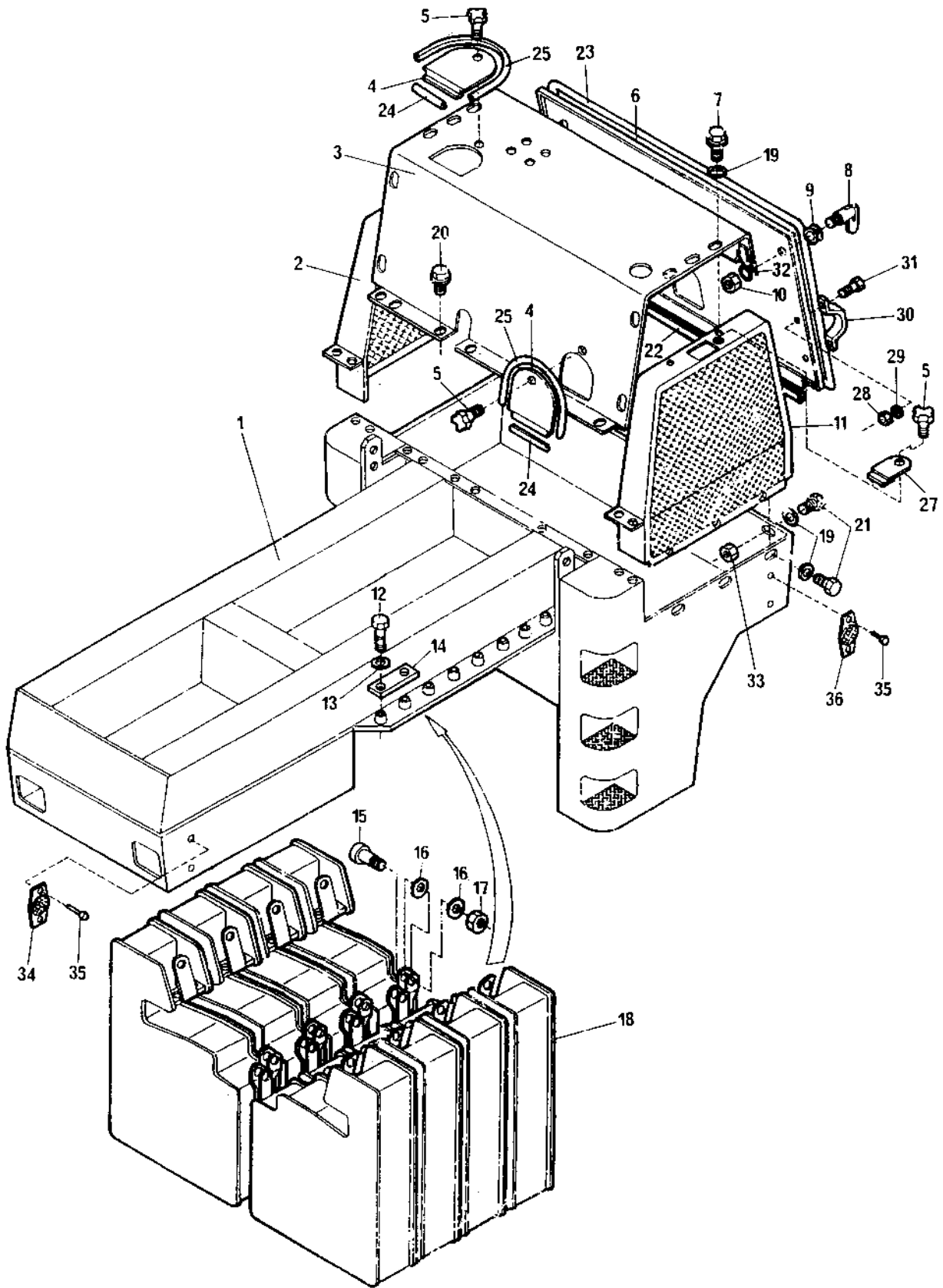


Frame and hood



Item	Part No.	Name	Qty	L	SN INFO
1	4700193407	Frame	1		
2	4700193690	Air cover	1		
3	4700194898	Cover	1		To 21620198
3	4700374892	Cover	1		From 21620199
4	4700193740	Cover	3		To 21620198; From 21620199
5	4700499162	Turning knob	4		To 21620198; From 21620199
6	4700193760	Cover	1		
7	4700500053	Hex. screw	12		
8	4700192883	Lock	2		
9	4700814259	Rubber grommet	2		
10	4700570007	Nut	2		
11	4700193689	Air cover	1		
12	4700500134	Hex. screw	16		
13	4700600011	Washer	16		
14	4700193580	Plate	8		
15	4700193581	Screw	8		
16	4700603005	Washer	16		
17	4700570016	Nut	8		
18	4700193557	Ballast box	8		
19	4700904229	Washer, 8.4x16x1.5 mm 300 HV	26		
20	4700927026	Screw with washer	8		
21	4700500021	Hex. screw	10		
22	4700202057	Rubber edge trim	1	A	
23	4700202028	Edge trim	1	B	
24	4700202028	Edge trim	3	C	
25	4700202028	Edge trim	N		
27	4700193745	Cover	1		
28	4700586002	Lock nut M6 -8	8		
29	4700904639	Washer, M6	4		
30	4700927210	Grab handle	2		
31	4700533038	Cylinder screw	4		
32	4700904231	Steel plain washer, 13x24x2 mm 300 HV	2		
33	4700570005	Hex. nut	4		
34	4700195064	Reflector, white	2		

Item	Part No.	Name	Qty	L	SN INFO
35	4700616003	Rivet	4		
36	4700195063	Reflector, red	2		

Comments for Page: Frame and hood

(L)OCAL REMARKS

A | en_US | L=1220 mm

B | en_US | L=2700 mm

C | en_US | L=120 mm