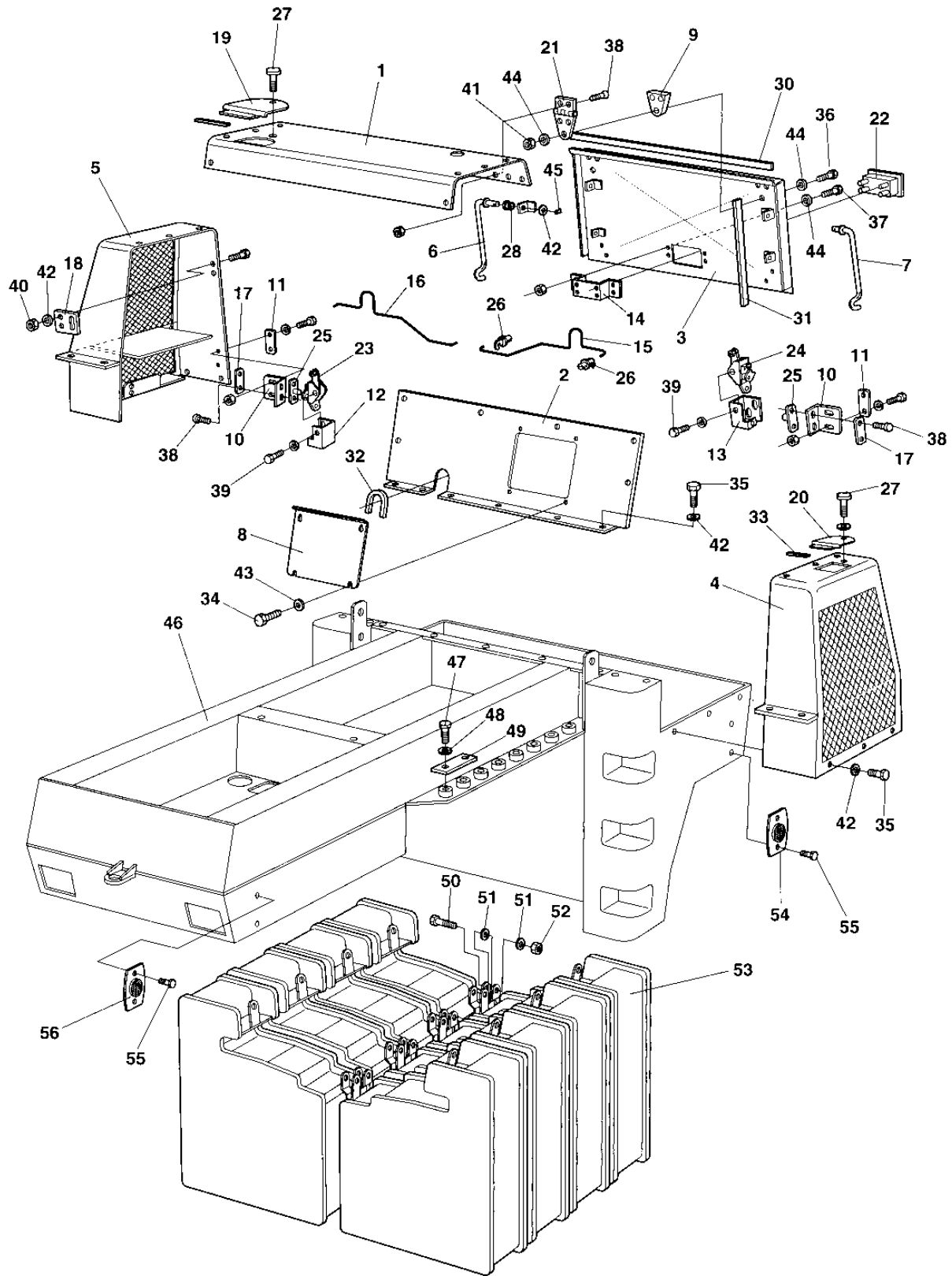


Frame and hood



Item	Part No.	Name	Qty	L	SN INFO
1	4700381878	Hood	1		
2	4700381686	Cover	1		
3	4700380426	Rear cover	1		
4	4700193689	Air cover	1		
5	4700193690	Air cover	1		
6	4700192940	Rod, right	1		
7	4700192941	Rod, left	1		
8	4700380394	Cover	1		
9	4700380400	Shim	2		
10	4700380399	Bracket	2		
11	4700381781	Lock plate	4		
12	4700381779	Lock bracket, right	1		
13	4700381780	Lock bracket, left	1		
14	4700380427	Stirrup	1		
15	4700382017	Rod, left	1		
16	4700382018	Rod, right	1		
17	4700382061	Lock plate	1		
18	4700381851	Bracket	1		
19	4700193740	Cover	1		
20	4700193745	Cover	1		
21	4700928041	Hinge	2		
22	4700904850	Handle	1		
22	4700938176	Key	1		
23	4700904851	Forked lock, right	1		
24	4700904852	Forked lock, left	1		
25	4700904853	Control pin	2		
26	4700904854	Lock fitting	4		
27	4700499162	Turning knob	2		
28	4700192939	Grommet	2		
29	4700192938	Clamp	2		
30	4700202056	Edge trim, 900 mm, 35.43 in.	N	A	
31	4700202056	Edge trim, 900 mm, 35.43 in.	N	B	
32	4700902166	Edge trim	N	C	
33	4700202028	Edge trim	N	D	
34	4700500053	Hex. screw	8		

Item	Part No.	Name	Qty	L	SN INFO
35	4700500021	Hex. screw	41		
36	4700500015	Hex. screw	6		
37	4700500013	Hex. screw	8		
38	4700513008	Washer	8		
39	4700500012	Hex. screw	4		
40	4700570005	Hex. nut	10		
41	4700570004	Hex. nut	10		
42	4700904640	Washer, 8.4x 2x3 mm 300 HV	45		
43	4700904229	Washer, 8.4x16x1.5 mm 300 HV	16		
44	4700904228	Steel plain washer	28		
45	4700630007	Split pin	2		
46	4700193407	Frame	1		
47	4700500134	Hex. screw	16		
48	4700904232	Steel plain washer	16		
49	4700193580	Plate	8		
50	4700193581	Screw	8		
51	4700904559	Washer M24 25x45x8	16		
52	4700570016	Nut	8		
53	4700193557	Ballast box	8		
54	4700195063	Reflector, red	2		
55	4700616003	Rivet	4		
56	4700195064	Reflector, white	1		

Comments for Page: Frame and hood

(L)OCAL REMARKS

A | en_US | L=1300 mm

B | en_US | L=653 mm

C | en_US | L=270 mm

D | en_US | L=100 mm