

SY215CLC Excavator



KEY FEATURES

- Engine: Cummins QSB6.7, Tier 3
- Positive-control hydraulics with 34.3 MPa system pressure provides excellent reliability, outstanding control and high operation efficiency
- Newly designed SANY cab has maximum space, wide visibility and easy access to controls with a full-color monitor providing easy access to machine operation information
- Standard features include two-way auxiliary hydraulics and a pattern-control change valve to increase productivity and versatility
- True, long undercarriage design to increase stability

SPECIFICATIONS

Gross Power

155 hp / 116 kW

Operating Weight

51,193 lb / 23 221 kg

Dig Depth

21' 7" / 6600 mm

Bucket Breakout

28,551 lbf / 127 kN

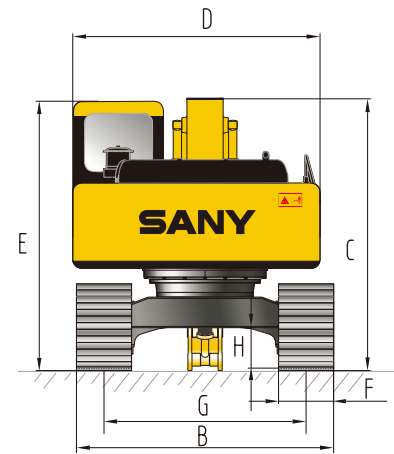
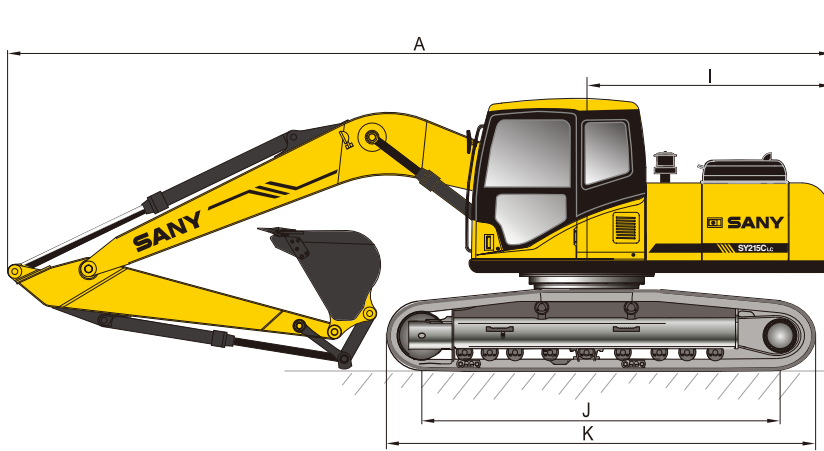
Meco Miami, Inc.

5825 NW 74th Avenue, Miami, FL 33166
Tel: (305) 592-4332 | Fax: (305) 477-3543
www.mecomiami.com



SANY
AMERICA

SY215C_{Lc} Dimensions & Specifications

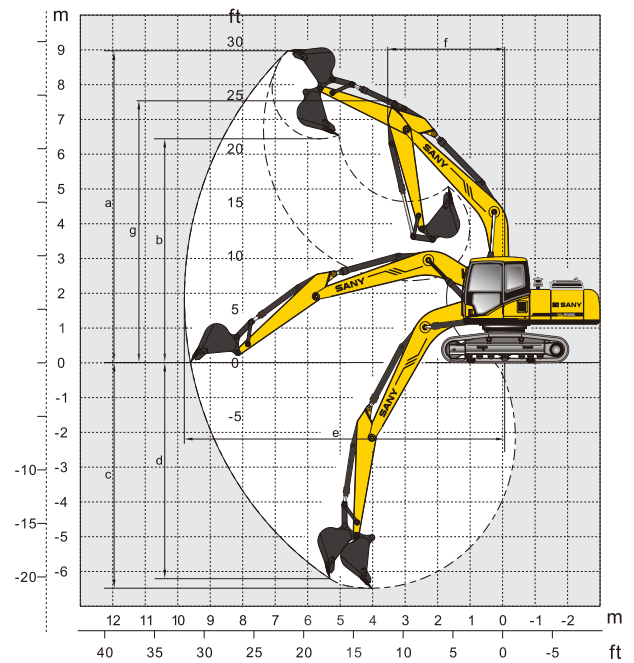


Overall Dimensions

	U.S. (ft - in)	Metric (mm)
A Transport Length	31' 11"	9728
B Transport Width	10' 5"	3180
C Transport Height	11' 1"	3370
D Upper Width	8' 11"	2710
E Cab Height	10' 0"	3050
F Std Track Shoe Width	2' 7"	800
G Track Gauge	7' 10"	2380
H Minimum Ground Clearance	1' 7"	482
I Tail Swing Radius	9' 6"	2890
J Length Center Idler to Center Sprocket	11' 11"	3640
K Track Length	14' 7"	4450
Boom Length	18' 8"	5700
Std Arm Length	9' 7"	2925

Machine Parameters

	U.S.	Metric
Operating Weight	51,193 lb	23 221 kg
Gross Power	155 hp	116 kW
Engine Max Torque	456 lbf @ 1500 rpm	618 Nm @ 1500
Engine Displacement	409 in ³	6.7 liter
Main Pump Flow	2 x 55 gal	2 x 203 liter
Swing Speed	10.1 rpm	10.1 rpm
Travel Speed	1.9 / 3.3 mph	3.1 / 5.3 km/h
Max Arm Digging Force	23,155 lbf	103 kN
Max Bucket digging Force	28,551 lbf	127 kN
Number of Upper Rollers	2	2
Number of Lower Rollers	9	9
Fuel Tank Capacity	90 gal	340 liter
Hydraulic Tank Capacity	61 gal	230 liter
Cooling System Capacity	6.2 gal	23.6 liter
Engine Oil Capacity	5.8 gal	22 liter
Ground Pressure (800 mm Shoes)	5.3 psi	36.3 kPa



Operating Range

	U.S. (ft - in)	Metric (mm)
a Max Digging Height	30' 1"	9180
b Max Dumping Height	21' 10"	6670
c Max Digging Depth	21' 8"	6600
d Max Vertical Wall Digging Depth	19' 7"	5980
e Max Digging Reach	33' 10"	10 307
f Min Swing Radius	12' 2"	3730
g Max Height at Minimum Swing Radius	25' 2"	7680