

SY35U

Excavator



KEY FEATURES

- Engine: Yanmar 3TNV88-BDSA, Tier 4f
- Zero tail swing is ideal for tight job sites and working in confined spaces
- Lines are run down the boom and arm as standard equipment for easy fit-up and running of hydraulic attachments
- Enclosed cab with air conditioning standard for operator comfort
- Load sensing hydraulics for increased fuel efficiency and maximized performance
- Two-speed travel

SPECIFICATIONS

Net Power

27.4 hp / 20.4 kW

Operating Weight

8,333 lb / 3780 kg

Dig Depth

10' 2" / 3105 mm

Bucket Breakout

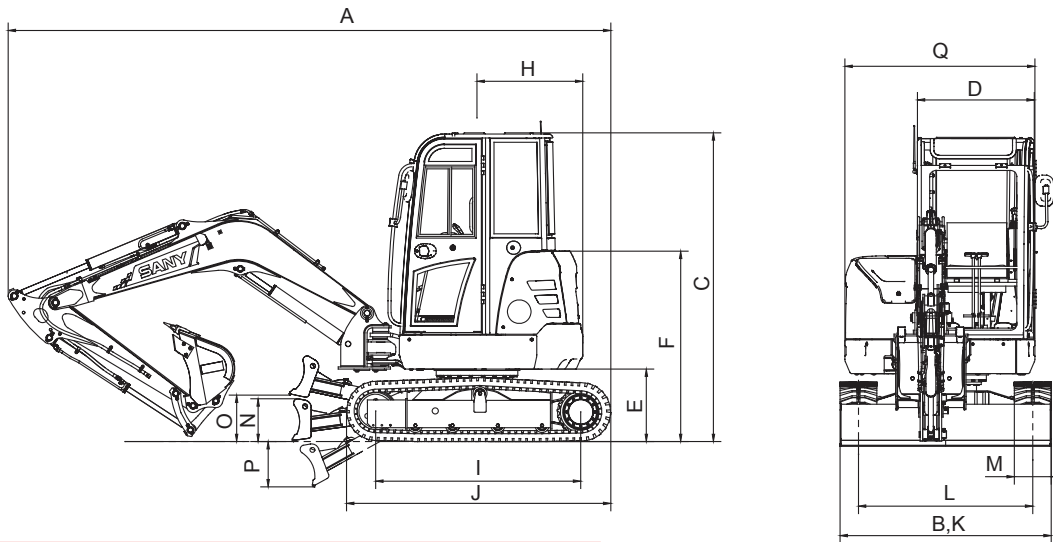
6,834 lbf / 30.4 kN

Meco Miami, Inc.

5825 NW 74th Avenue, Miami, FL 33166
Tel: (305) 592-4332 | Fax: (305) 477-3543
www.mecomiami.com

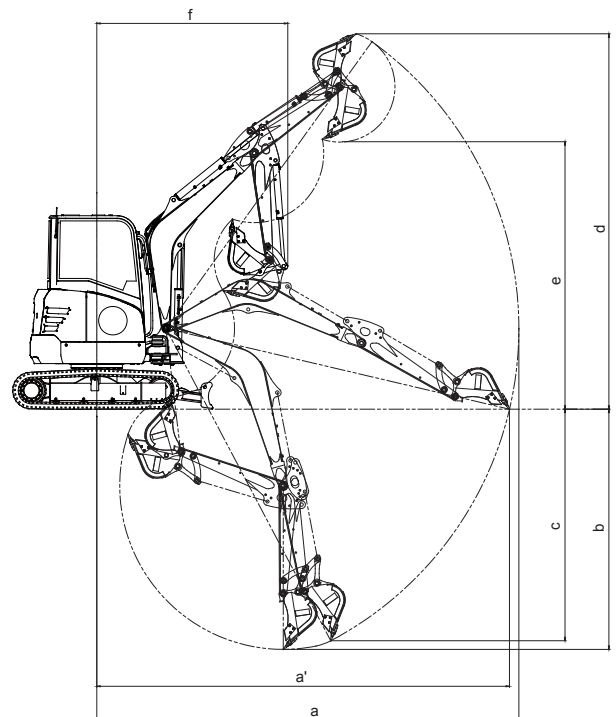
**SANY**
AMERICA

SY35U Dimensions & Specifications



Overall Dimensions

	U.S. (ft - in)	Metric (mm)
A Transport Length	16' 1"	4915
B Transport Width	5' 7"	1720
C Transport Height	8' 2"	2515
D Cab Width	3' 1"	955
E Platform Clearance	1' 11"	590
F Engine Hood Height	5' 1"	1550
G Min. Ground Clearance	1' 0"	295
H Tail Swing Radius	2' 10"	860
I Track Ground Length	5' 6"	1670
J Track Length	7' 1"	2155
K Chassis Width	5' 7"	1720
L Track Gauge	4' 8"	1420
M Track Shoe Width	1' 0"	300
N Blade Width	1' 1"	350
O Max. Ground Clearance of Blade	1' 2"	375
P Min. Ground Clearance of Blade	1' 2"	370
Q Upper-Structure Width	5' 1"	1550



Machine Parameters

	U.S.	Metric
Operating Weight	8333 lb	3780 kg
Net Power	27.4 hp	20.4 kW
Engine Max Torque	78.1 lbf ft @ 1200 rpm	106 N m @ 1200 rpm
Swing Speed	9 rpm	9 rpm
Travel Speed (Lo/Hi)	1.5 / 2.7 mph	2.4 / 4.4 km/h
Draw Bar Pull (Tractive Effort)	8,273 lbf	36.8 kN
Max Arm Digging Force	4,092 lbf	18.2 kN
Max Bucket Digging Force	6,834 lbf	30.4 kN
Number of Upper Rollers	1	1
Number of Lower Rollers	4	4
Fuel Tank Capacity	10.6 gal	40 liters
Hydraulic Tank Capacity	10.6 gal	40 liters
Cooling System Capacity	1.7 gal	6.5 liters
Engine Oil Capacity	1.8 gal	6.7 liters
Ground Pressure (300 mm Shoes)	4.6 psi	32 kPa

Operating Range

	U.S. (ft - in)	Metric (mm)
a Max. digging radius	17' 11"	5465
a' Max. reach at ground level	17' 6"	5345
b Max. digging depth	10' 2"	3105
c Max. vertical wall digging depth	8' 11"	2700
d Max. cutting height	15' 11"	4855
e Max. loading height	11' 4"	3460
f Min. swing radius	8' 1"	2475